

SIRIUS L GEN2



Sirius L Gen2 is the most efficient model in the energy-efficient street luminaire series. The updated Sirius luminaire family was designed to suit varying weather conditions. The luminaire family has a sleek and consistent new appearance, and it is easy to keep clean. Sirius' timeless Scandinavian design suits areas built in different time periods. Sirius combines good looks, durable materials and practicality. The efficient Sirius L Gen2 luminaires are suitable for a wide range of applications, from busy roads and highways to city streets.

Benefits

A reliable street luminaire family with clear and uniform design all the way from collector roads to highways. High IP66 class combined with durable impact resistant IK09 structure.

Versatile light distribution selection for streets, areas and spaces. The product combines low glare value and low cost of ownership. Constant light output (CLO) as standard feature.

Suitability

Collecting roads, city streets and roads. The luminaire is also splendid for area lighting and lighting of different demanding spaces and environments.

Product families and variants

Model	Type Code	Initial CLO power consumption	Average CLO power consumption	End CLO power consumption	Luminous flux	Luminaire Efficacy	Lifetime	Operating temperature
SIRIUS 134L GEN2	GLS2G134L	130 W	132 W	134 W	18000 lm	134 lm/W	L97B10, C10 100 000 h	-40 - +30°C
SIRIUS 160L GEN2	GLS2G160L	154 W	157 W	160 W	20300 lm	133 lm/W	L96B10, C10 100 000 h	-40 - +30°C
SIRIUS 182L GEN2	GLS2G182L	173 W	178 W	182 W	22000 lm	127 lm/W	L95B10, C10 100 000 h	-40 - +25°C

Notes:

All values in ambient temperature of +25°C with CCT 4000K and light distribution L02, luminous flux tolerance +-5%, output power tolerance +-6%.

The luminaire should be positioned so that prolonged staring into the luminaire at a distance closer than optical safety distance is not expected.

Optical safety distance with Light Distributions L20 and L21 is 6.5m, with other light distributions the optical safety distance is 3.8m. ULOR = 0

Dimensions

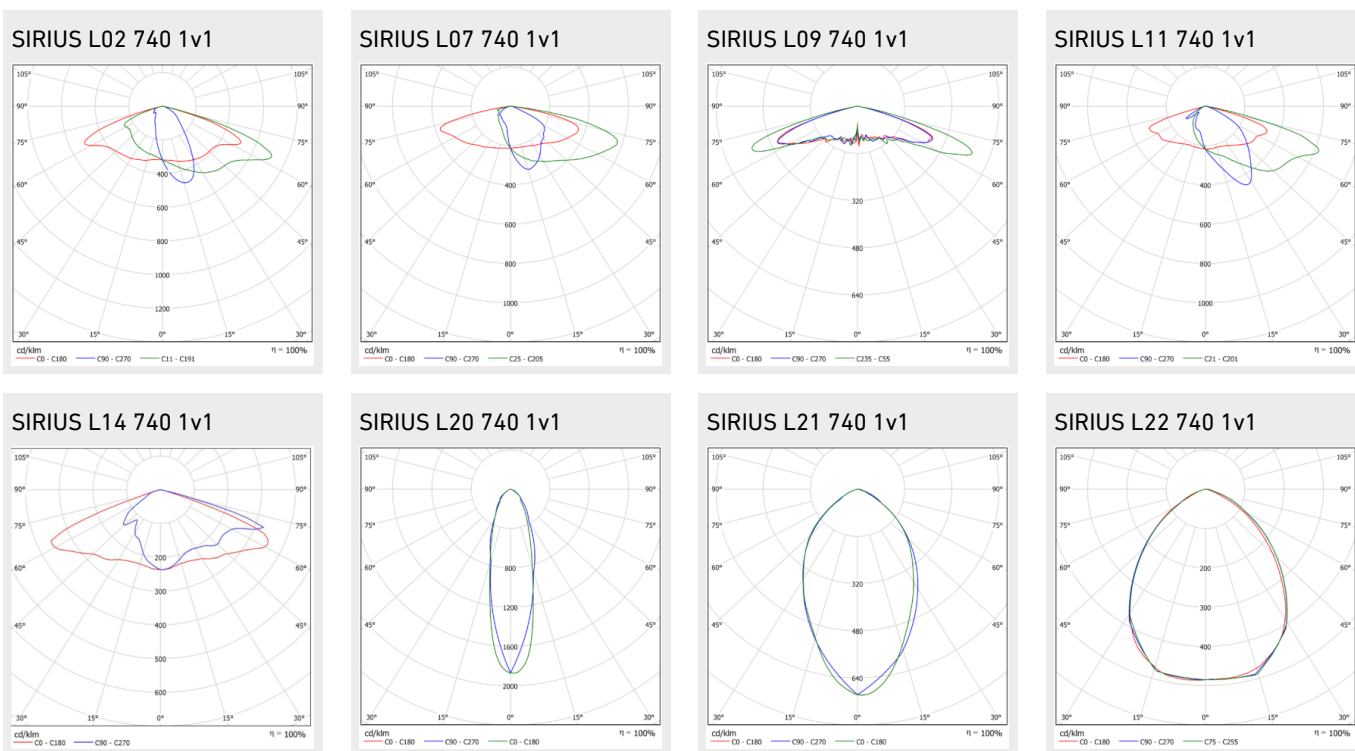
MODEL	TYPE CODE	LENGTH (L)	HEIGHT (H)	WIDTH (W)	WEIGHT
SIRIUS 134L GEN2	GLS2G134L	550 mm	75 mm	300 mm	7,5 kg
SIRIUS 160L GEN2	GLS2G160L	550 mm	75 mm	300 mm	7,5 kg
SIRIUS 182L GEN2	GLS2G182L	550 mm	75 mm	300 mm	7,5 kg

General Description

COLOUR TEMPERATURE:	3000 K, 4000 K, 5000 K
COLOUR RENDERING INDEX:	$R_A \geq 70$
IP CLASS:	IP66
SUPPLY VOLTAGE:	170-264 Vac
FREQUENCY:	50-60 Hz
PF:	>0.95
THD:	<10%
OVERVOLTAGE PROT.:	10kV L/N-Ground & SD-Ground

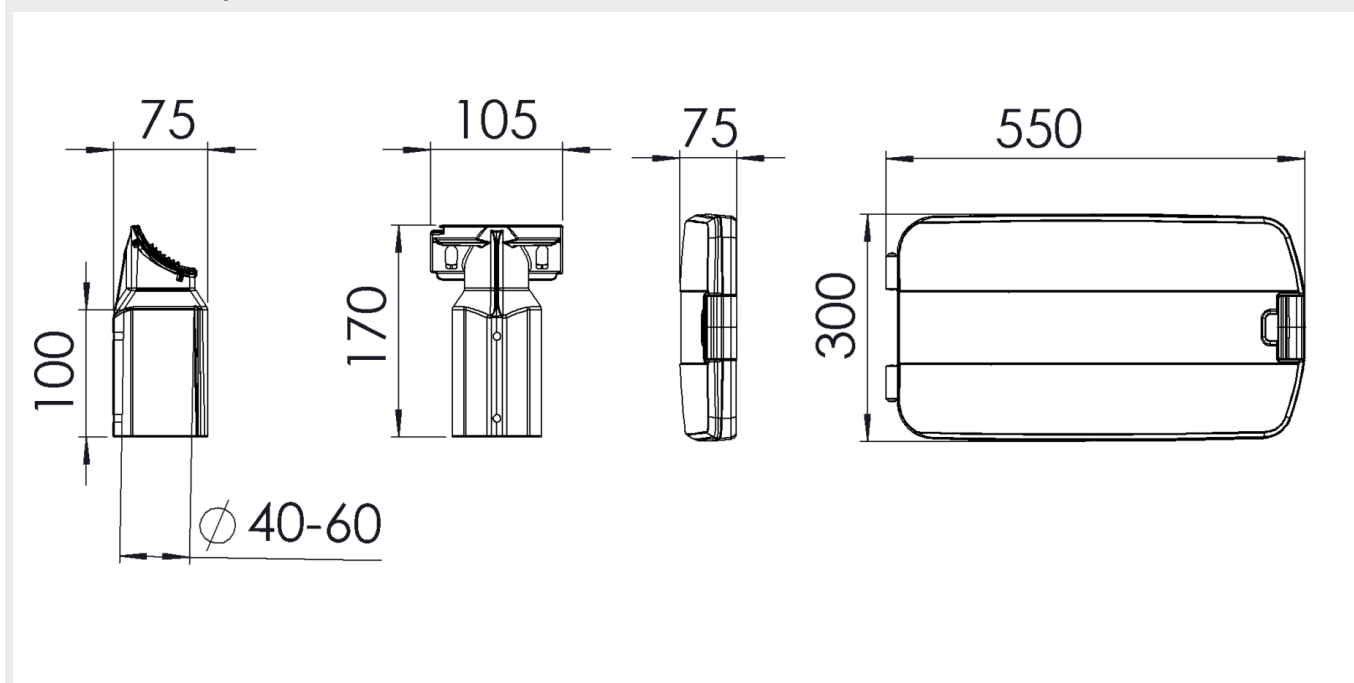
CONNECTION:	Luminaire internal terminal block (installation cable as an option)
DIMMABILITY:	ON/OFF, StepDIM, AstroDIM, MainsDIM, DALI (requires 2 addresses)
COLOUR:	RAL9006, other RAL colours as an option
MATERIAL OF THE LUMINAIRE BODY:	Aluminium
GUARANTEE:	8 years
ACCESSORIES (INSTALLATION):	Tube bracket, T-adapter, Pole adapter diam 76 mm -> 60 mm, Ceiling bracket, Wall bracket
ACCESSORIES (OTHERS):	Protection class II – assembly

Light distribution



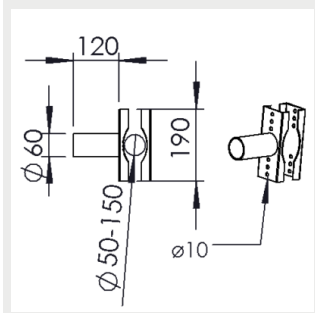
Dimensions

Dimensional drawing

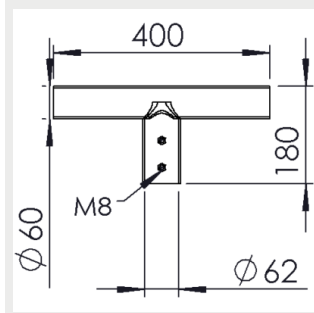


Brackets

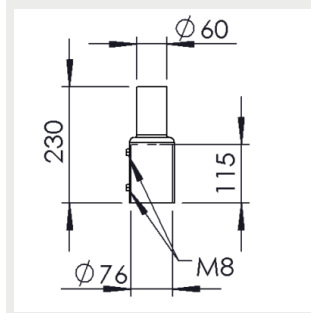
Tube bracket



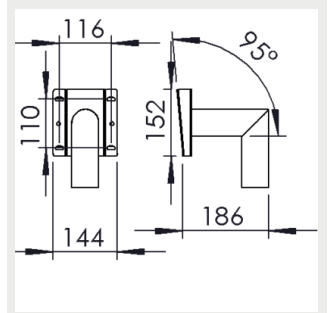
T-adapter



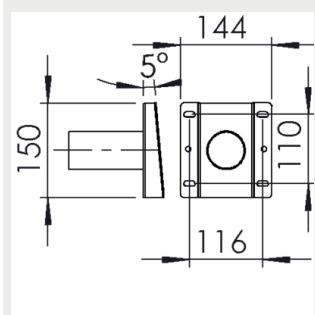
Pole adapter diam 76 mm -> 60 mm



Ceiling bracket



Wall bracket



Circuit breakers

	B10	B16	B20	C10	C16	C20
SIRIUS L GEN2	3	6	7	5	9	11

CUSTOMER SERVICE:

tel: +358 20 125 5800

info@greenled.fi